

GLEAM

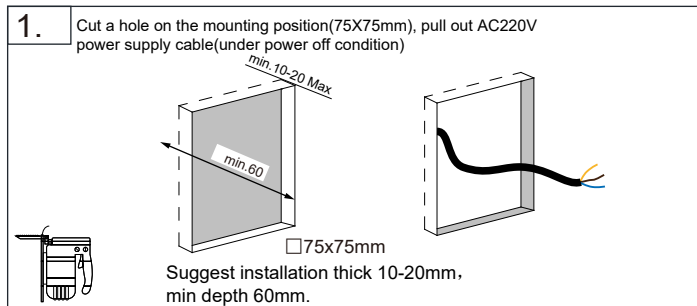
Gleam series large size installation instructions

SERIES	CUT-OUT
DR00605	75*75mm
DR00606	75*75mm

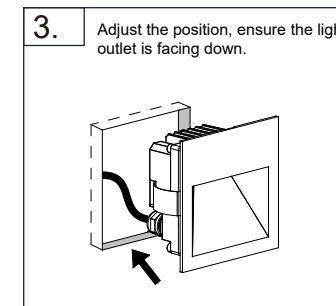
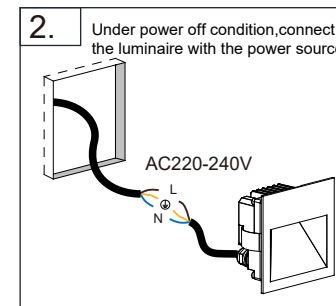
Please read the manual before installation

- 1、 Installation must be completed by a professional staff with Electrician certificate;
- 2、 Please connect with AC220-240V power. Other power is prohibited, such as DC24V;
- 3、 When in installation, please keep hands dry, ortherwise it may cause an electric shock;
- 4、 When installation, please cut off all powers. Check the correction of power line connection after installation, turn on the power;
- 5、 Please do not disintegrate or modify the product forcibly;
- 6、 When there is something wrong with the luminaire, please cut off the power immediately. Do not touch the light with hand, otherwise it may cause an electric shock.

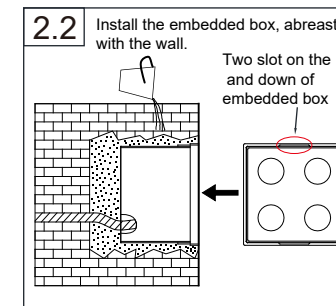
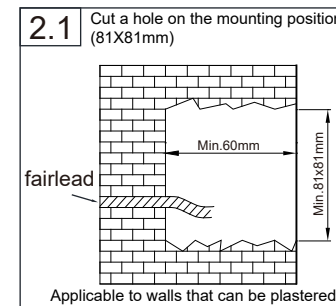
Installation I (without embedded box)



1.

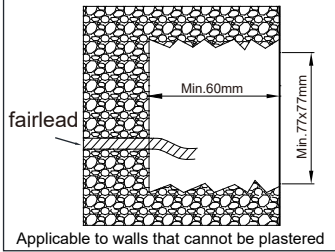


Installation II (with embedded box)

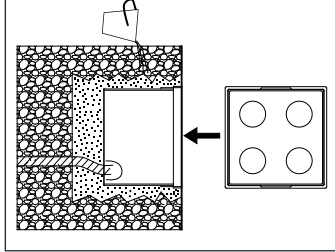


3.

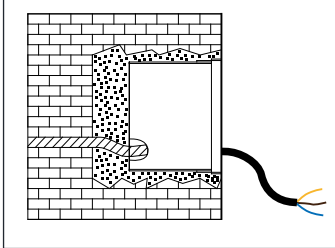
2.3 Cut a hole on the mounting position (77x77mm).



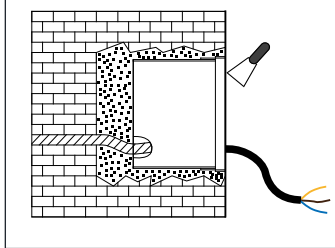
2.4 Install the embedded box, abreast with the wall.



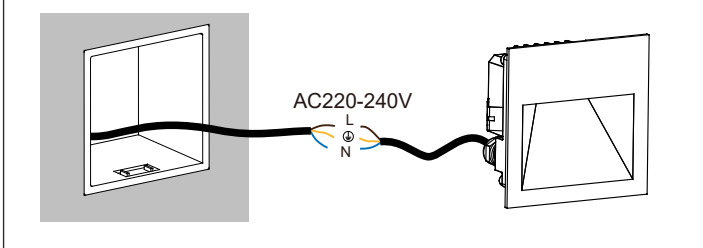
2.5 Pull out the power supply cable after the wall dry out



2.6 Clean the mounting position



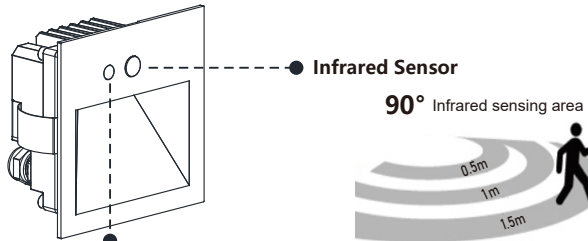
2.7 Under power off condition, connect the luminaire with the power source referring to Installation I.



Specific appearance in kind prevail !

4.

Sensor Instruction :



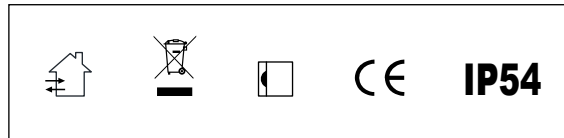
Light Activated Switch ≥5-7LX

Infrared Sensor Switch: Fan-shaped sensing area, sensing angle 90°, max sensing distance up to 1.5m.
Sensor Delay: When detecting a person, it will light up for 30s (The time can be customized) and then it will automatically turn off.

Light Activated Instruction: When the ambient illumination is more than 5-7LX, it will not light up even if detecting people (The illumination of Light Activated Switch can be customized according to the environment)

Notice:

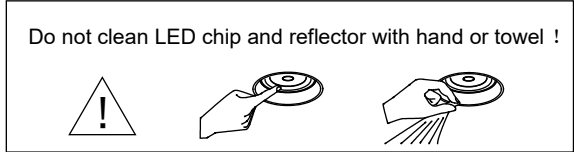
1. Keep away from heating, air conditioning, refrigerators, stoves and other places sensitive to air temperature changes.
2. There must be no screens, furniture, large bonsai or other barriers within the detection range of the Sensor Switch.
3. Don't install the fitting in places with strong air flow such as doorways and air ducts.
4. If there is glass, acrylic, or other substances that are difficult to pass through infrared rays between the fittings, or if there are stains on the window, it will affect the detection performance.



Suitable for indoor and outdoor environment.

LED driver is built in, The luminaire is recessed.

5.



- Use only drivers that comply with IEC or CE safety standards.
- Check if the power supply match with the luminaire.
- Must consider the maximum current value displayed on the label of the luminaire.
- The voltage displayed on the luminaire is not used to select the constant voltage driver, but the voltage covered by the selected constant current driver.
- Take suitable ESD measures to avoid touching bare conductors.
- LED chips can be damaged if be in touch with chemical material or gas. Therefore, it is not allowed to clean the LED housing or luminaire by chemicals.
- The following items are confirmed to have negative impact on the performance of the luminaire, avoid to keep luminaire in the same circumstance with them.
 - Methyl acetate or ethyl acetate (i.e., nail polish remover)
 - Cyanoacrylates (i.e., "Superglue")
 - Glycol ethers (including Radio Shack ® Precision Electronics Cleaner - dipropylene glycol monomethyl ether)
 - Formaldehyde or butadiene (including Ashland PLIOBOND ® adhesive)
 - Dymax 984-LVUF conformal coating
 - Loctite Sumo Glue- Loctite 384 adhesive- Loctite 7387 activator
 - Gorilla Glue- Bleach, Bleach-containing cleaners, sprays

- Remove the insulation material from the luminaire or provide enough space so that the temperature raising will not overpass the limited TC.
- LED chip is very sensitive to switching transients, therefore, LED lamps and appliances must be connected after power cut off, no hotswappable.
- Recommends using the driver indicated on the luminaire manual.
- Must consider the polarity of the product.
- If the external flexible cable or cord of this lamp is damaged, the cord should be replaced by the manufacturer or its service agent or a similarly qualified person
- Non-replaceable light source (The light source of this luminaire is not replaceable; When the light source reaches the end of its life, the entire luminaire should be replaced)

6.