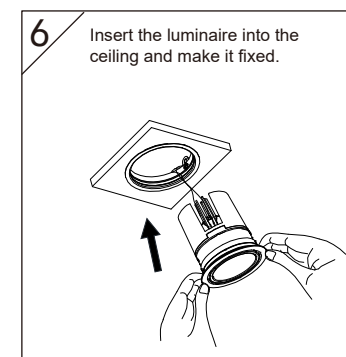
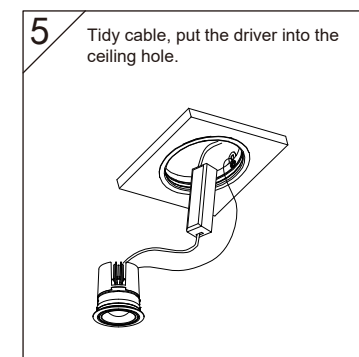
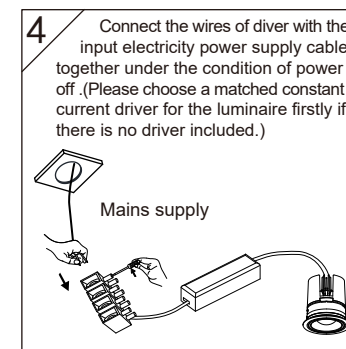
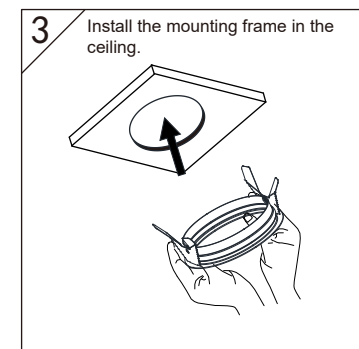
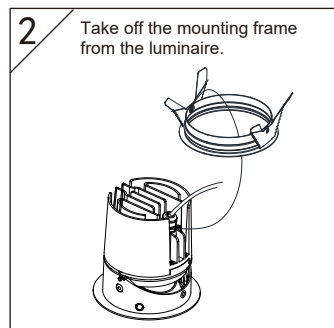
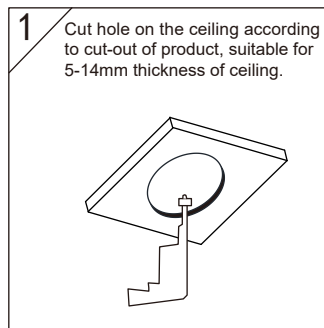


IF series installation instructions

SERIES	CUT-OUT	SERIES	CUT-OUT
DR00202	Ø80mm	DR00201	Ø80mm
DR00204	Ø80mm	DR00203	Ø80mm
DR00206	Ø80mm	DR00205	Ø80mm
DR00209	Ø80mm	DR00208	Ø80mm
DR00211	Ø80mm	DR00210	Ø80mm
DR00213	Ø80mm	DR00212	Ø80mm
7411201	Ø83mm	7411101	Ø83mm
7411202	Ø83mm	7411102	Ø83mm
7411203	Ø83mm	7411103	Ø83mm

Installation Instructions I :

The instruction is suitable for luminaire with mounting frame.



The specific appearance is subject to the real product!

1.

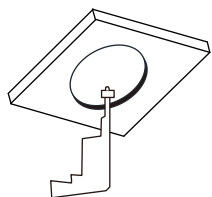
2.

3.

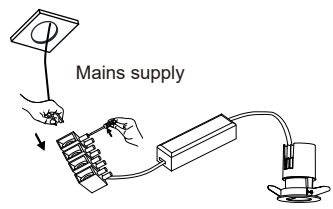
Installation Instructions II :

The instruction is suitable for luminaire without mounting frame.

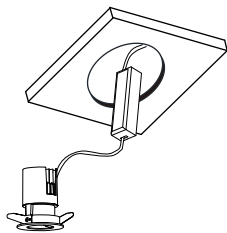
- 1** Cut hole on the ceiling according to cut-out of product, suitable for 8-20mm thickness of ceiling.



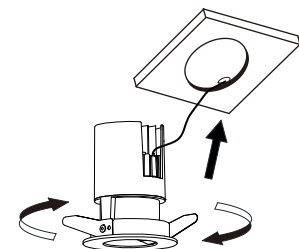
- 2** Connect the wires of driver with the input electricity power supply cable together under the condition of power off .(Please choose a matched constant current driver for the luminaire firstly if there is no driver included.)



- 3** Tidy cable, put the driver into the ceiling hole.

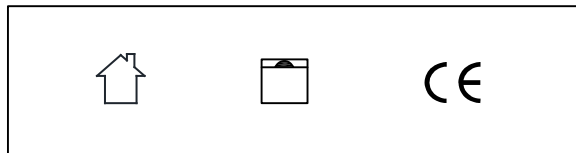



- 4** Press springs and install the luminaire.




The specific appearance is subject to the real product!

4.



 This product is only suitable for indoor.
It is not allowed to be rinsed with water.

 Independent external driver, recessed mounted.

Do not clean LED chip and reflector with hand or towel !



- Use only drivers that comply with IEC or CE safety standards.
- Check if the power supply match with the luminaire.
- Must consider the maximum current value displayed on the label of the luminaire.
- The voltage displayed on the luminaire is not used to select the constant voltage driver, but the voltage covered by the selected constant current driver.
- Take suitable ESD measures to avoid touching bare conductors.
- LED chips can be damaged if be in touch with chemical material or gas. Therefore, it is not allowed to clean the LED housing or luminaire by chemicals.
- The following items are confirmed to have negative impact on the performance of the luminaire, avoid to keep luminaire in the same circumstance with them.
 - Methyl acetate or ethyl acetate (i.e., nail polish remover)
 - Cyanoacrylates (i.e., "Superglue")
 - Glycol ethers (including Radio Shack ® Precision Electronics Cleaner - dipropylene glycol monomethyl ether)
 - Formaldehyde or butadiene (including Ashland PLIOBOND ® adhesive)
 - Dymax 984-LVUF conformal coating
 - Loctite Sumo Glue, Loctite 384 adhesive, Loctite 7387 activator
 - Gorilla Glue, Bleach, Bleach-containing cleaners, sprays

- Remove the insulation material from the luminaire or provide enough space so that the temperature raising will not overpass the limited TC.
- LED chip is very sensitive to switching transients, therefore, LED lamps and appliances must be connected after power cut off, no hotswappable.
- Recommends using the driver indicated on the luminaire manual.
- Must consider the polarity of the product.
- If the external flexible cable or cord of this lamp is damaged, the cord should be replaced by the manufacturer or its service agent or a similarly qualified person
- The light source in this lamp should be replaced by the manufacturer or its service agent or a similarly qualified person

5.

6.