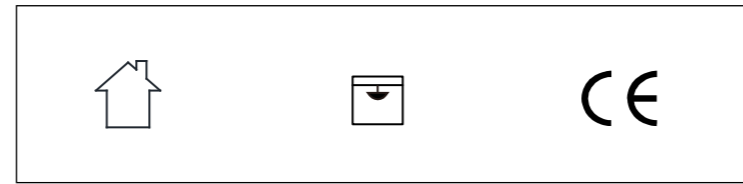


KLEE 36

Klee 36 series installation instructions

	Up&Down Light3/7		Down Light	
	SERIES	Length	SERIES	Length
Suspended comfort version	LP00105	1000mm	LP00106	1000mm
		1500mm		1500mm
Suspended ultra comfort version	LP00103	1000mm	LP00104	1000mm
		1500mm		1500mm
Suspended optical units version	LP00101	1000mm	LP00102	1000mm
		1500mm		1500mm



This product is only suitable for indoor, it is not allowed to be rinsed with water.

LED driver is built in, the luminaire is pendent - mounted.

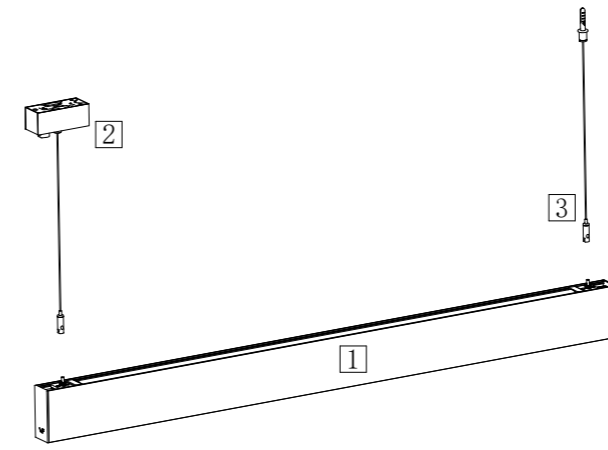
Warning: for LP00101 and LP00102 series, the installation position of lamps shall be such that they will not be stared at for a long time at a distance less than 2.1m!

Do not clean LED chip and reflector with hand or towel !

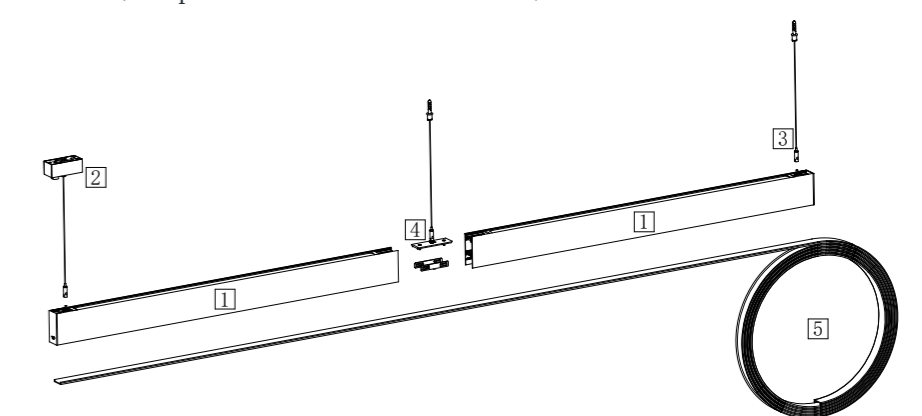


- Use only drivers that comply with IEC or CE safety standards.
- Check if the power supply match with the luminaire.
- Must consider the maximum current value displayed on the label of the luminaire.
- The voltage displayed on the luminaire is not used to select the constant voltage driver, but the voltage covered by the selected constant current driver.
- Take suitable ESD measures to avoid touching bare conductors.
- LED chips can be damaged if be in touch with chemical material or gas. Therefore, it is not allowed to clean the LED housing or luminaire by chemicals.
- The following items are confirmed to have negative impact on the performance of the luminaire, avoid to keep luminaire in the same circumstance with them.
 - Methyl acetate or ethyl acetate (i.e., nail polish remover)
 - Cyanoacrylates (i.e., "Superglue")
 - Glycol ethers (including Radio Shack ® Precision Electronics Cleaner - dipropylene glycol monomethyl ether)
 - Formaldehyde or butadiene (including Ashland PLIOBOND ® adhesive)
 - Dymax 984-LVUF conformal coating
 - Loctite Sumo Glue - Loctite 384 adhesive - Loctite 7387 activator
 - Gorilla Glue - Bleach, Bleach-containing cleaners, sprays
- Remove the insulation material from the luminaire or provide enough space so that the temperature raising will not overpass the limited TC.
- LED chip is very sensitive to switching transients, therefore, LED lamps and appliances must be connected after power cut off, no hotswappable.
- Recommends using the driver indicated on the luminaire manual.
- Must consider the polarity of the product.
- If the external flexible cable or cord of this lamp is damaged, the cord should be replaced by the manufacturer or its service agent or a similarly qualified person
- The light source in this lamp should be replaced by the manufacturer or its service agent or a similarly qualified person

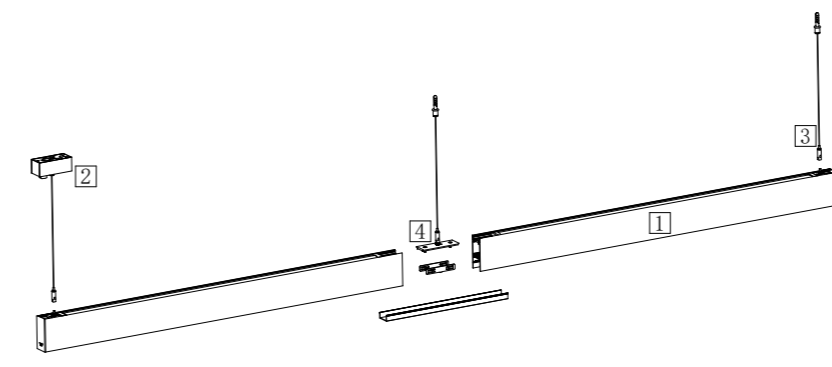
Standalone



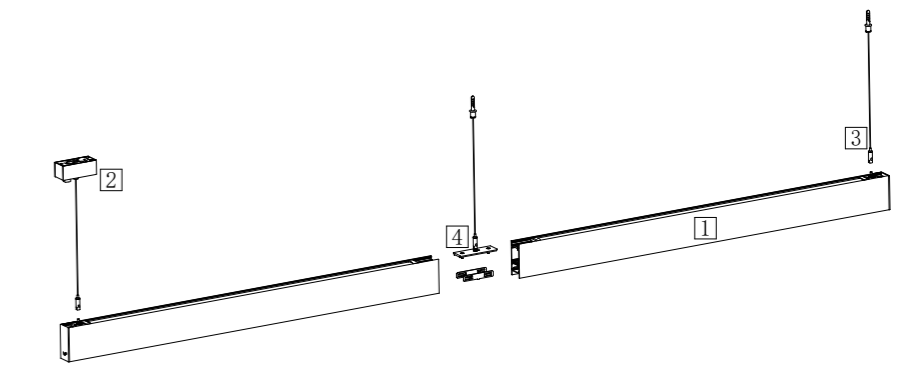
2PCS or more straight connected (Suspended comfort version)



2PCS or more straight connected (Suspended optical units version)

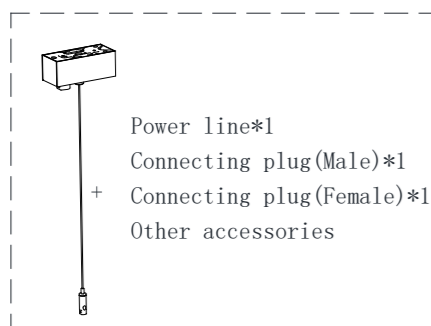


2PCS or more straight connected (Suspended ultra comfort version)



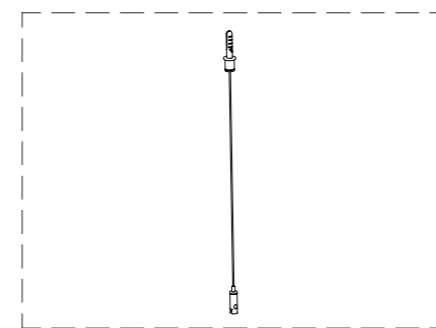
一、Suspension kit and diagram of luminaire structure

Canopy kit (82010330G2B-0X)

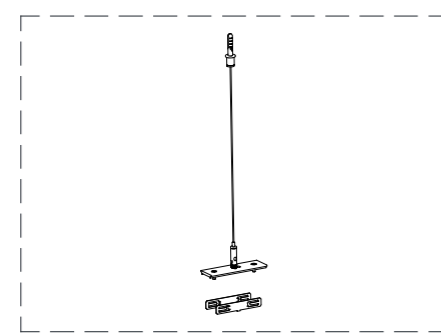


- ① Canopy kit for up&down light (82010330G2B-01)
- ② Canopy kit for down light (82010330G2B-02)

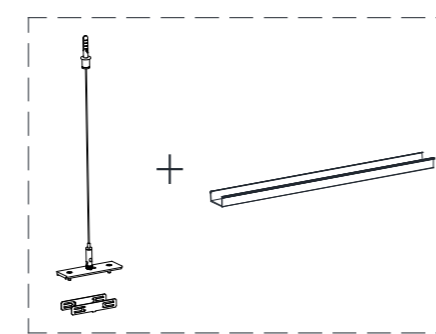
Side suspension kit (8716026040)



Linear connection kit Comfort & Ultra Comfort version (81032872G2B-01)



Linear connection kit Optical units version (81032872G2B-02)

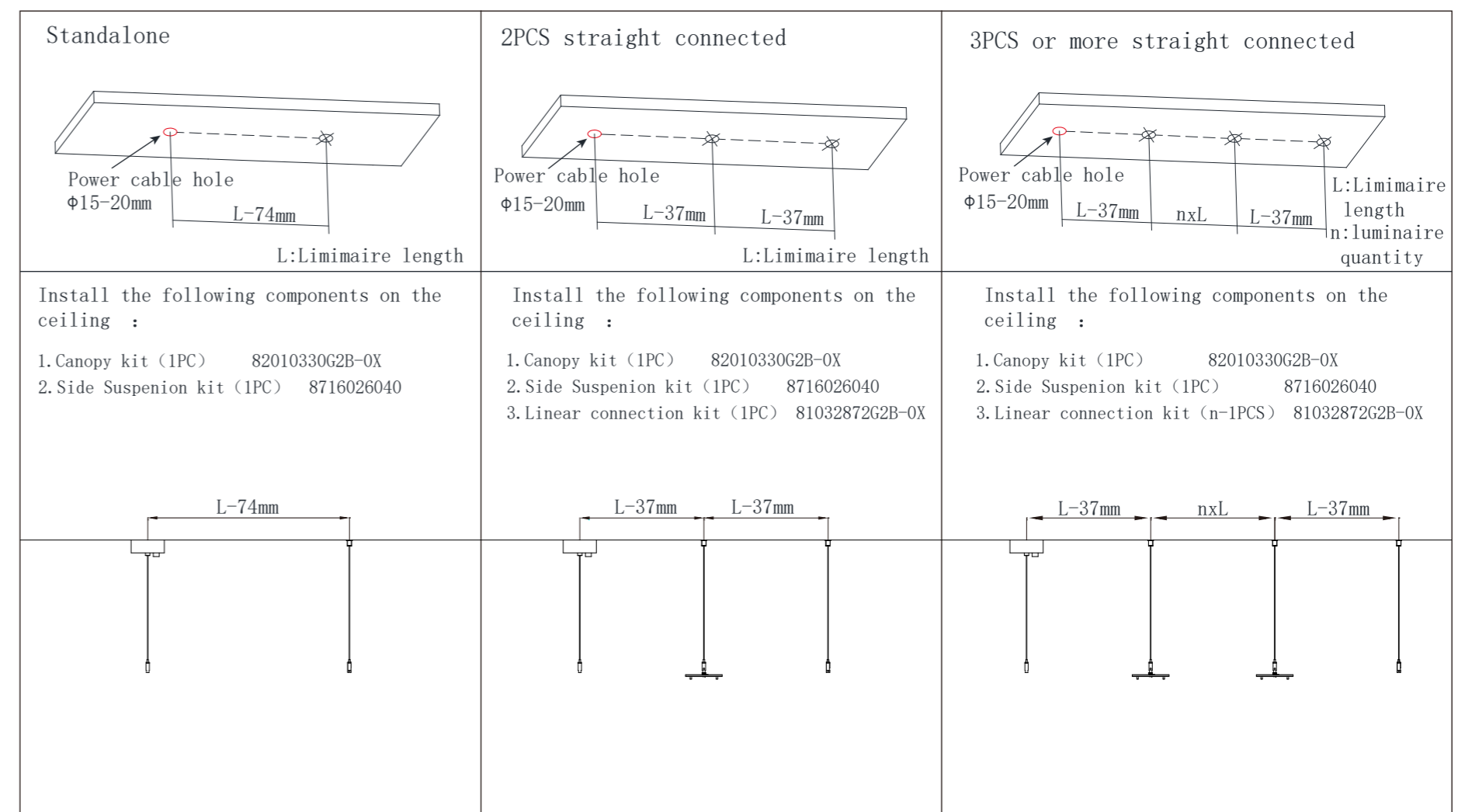


The corresponding item number of the main lamp body and accessories:

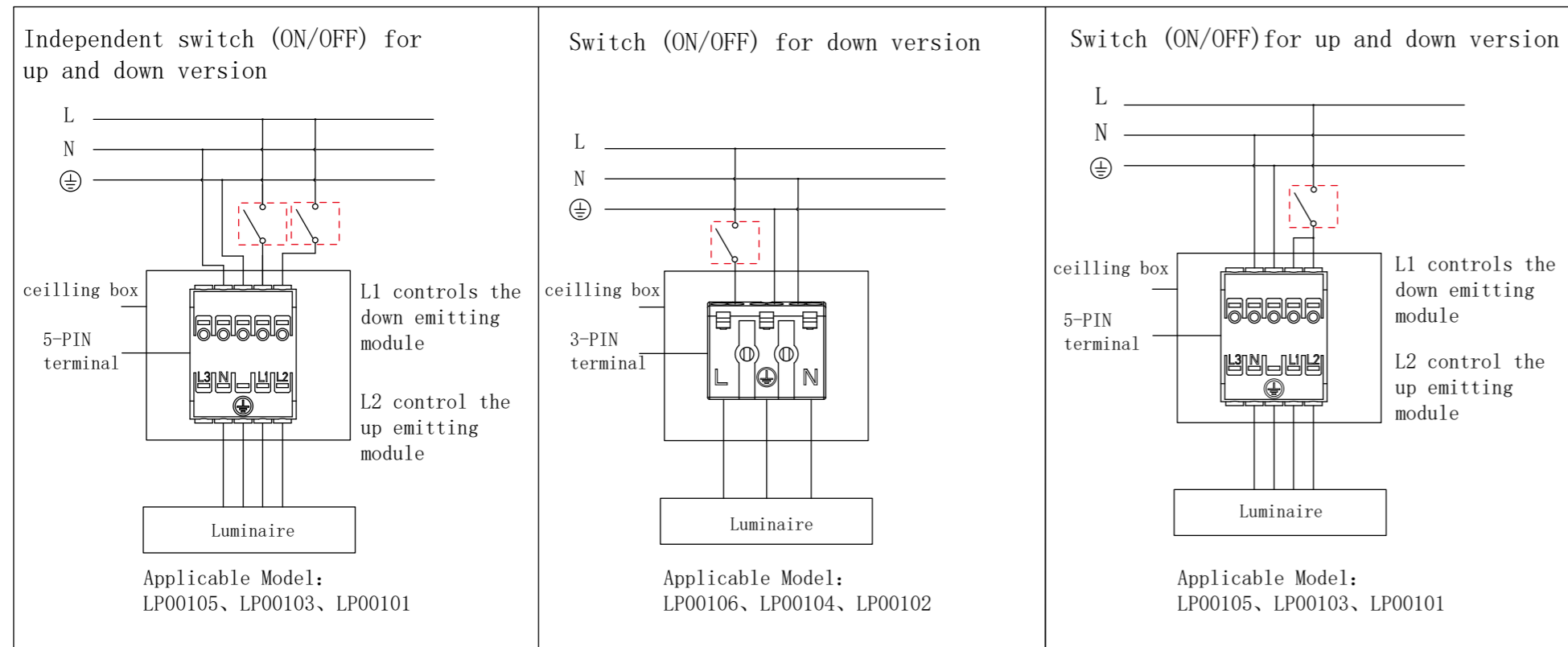
- 1. Main lamp body (lamp type)
- 2. Canopy kit 82010330G2B-0X
- 3. Side Suspension kit 8716026040
- 4. Linear connection kit 81032872G2B-0X
- 5. Rollable opal diffuser 412327X00C

二、Assembly position

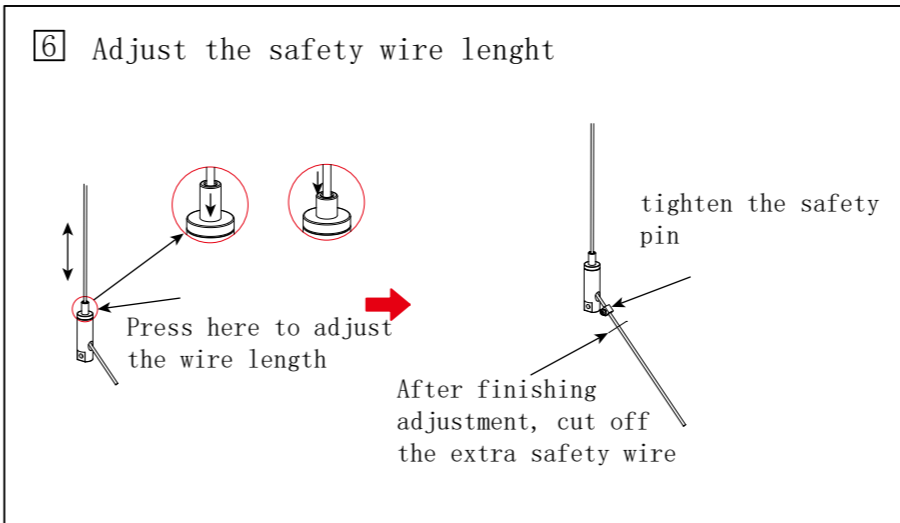
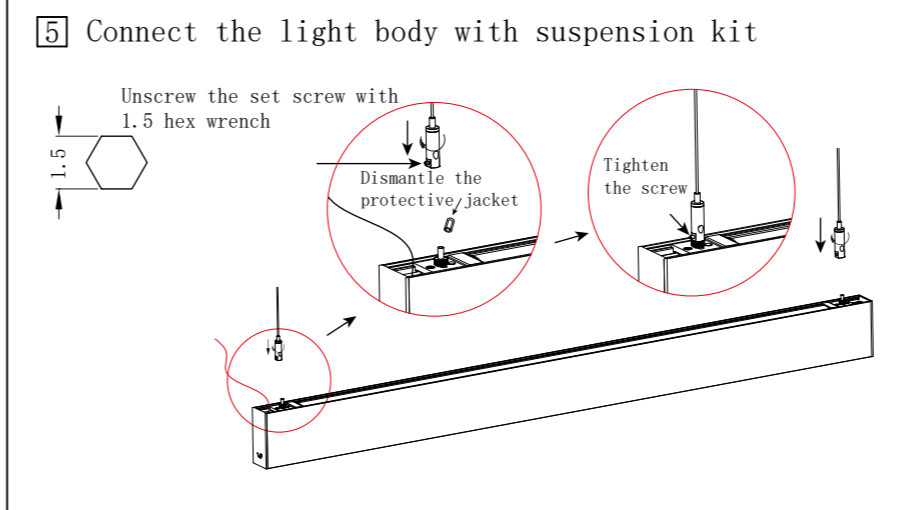
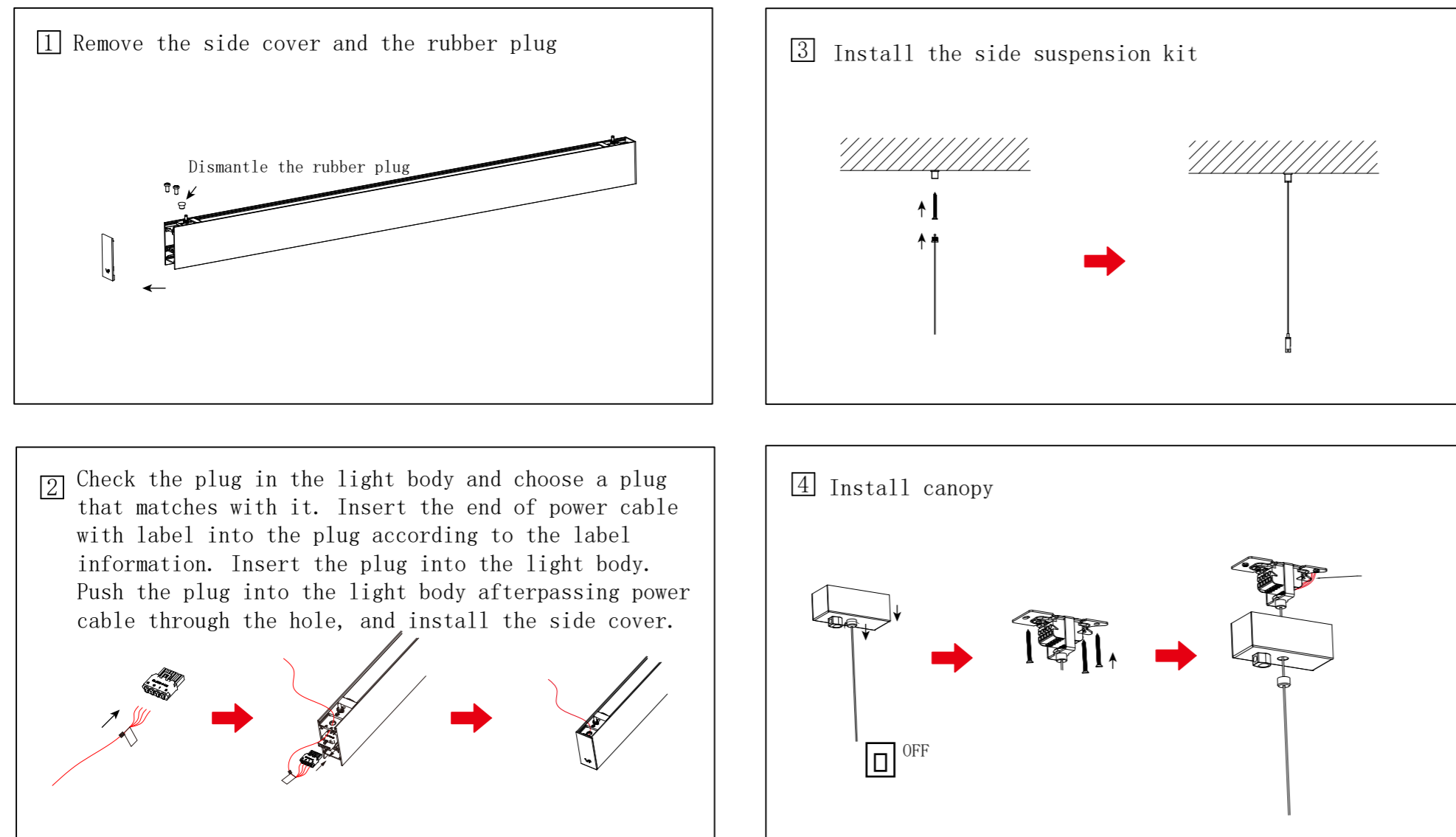
Relative position of components when they are installed:



三、Wiring Diagram



四、Installation instructions



五、Connection instructions

