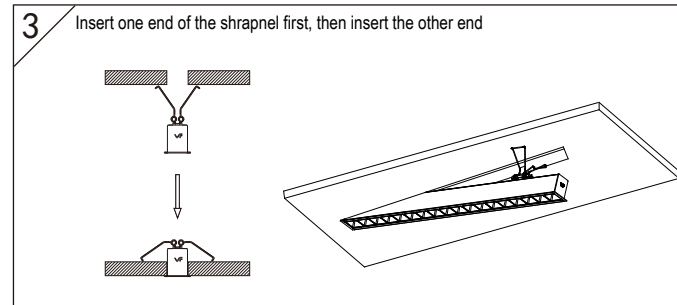
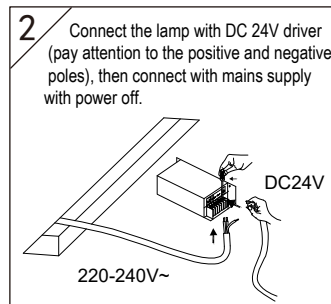
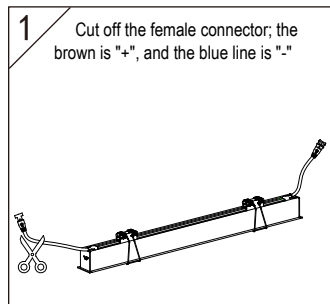


MIZAR 38

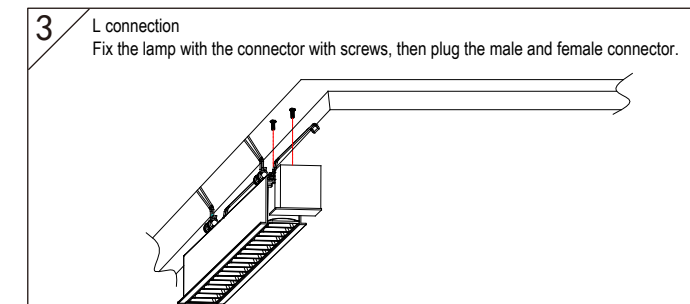
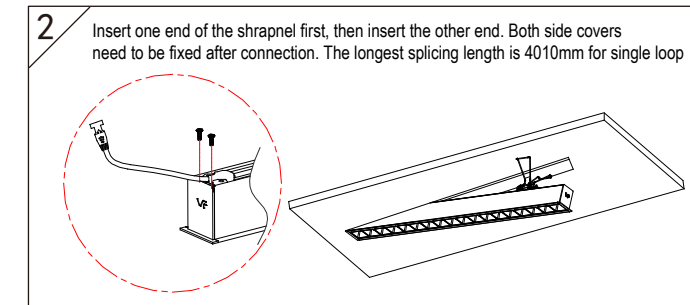
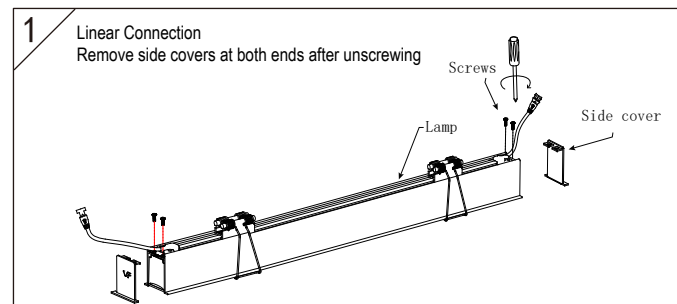
Mizar38 recessed series installation instructions

MODEL	Dimensions	Splicing size	Cut-Out
LR00207	94*38*56mm	89*38*56mm	89*32mm
	178*38*56mm	172*38*56mm	172*32mm
	344*38*56mm	338*38*56mm	338*32mm
	510*38*56mm	505*38*56mm	505*32mm
	1010*38*56mm	1005*38*56mm	1005*32mm

I Installation Instructions for single lamp((constant voltage):



II Installation for Connection:



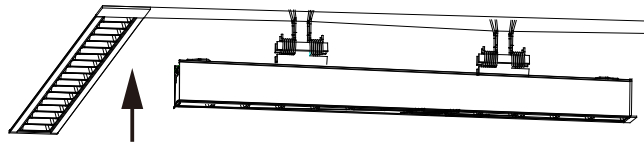
1.

2.

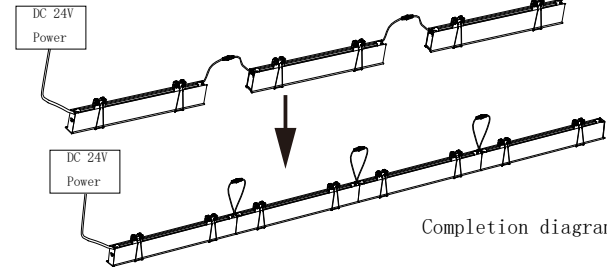
3.

4.

- 4 Remove side covers, then splice in sequence. End covers need to be fixed with screws. The longest splicing length is 4010mm for single loop



- 5 Connection and wiring diagram



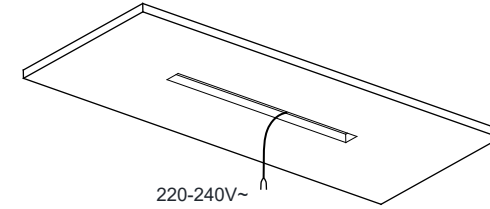
#### Precautions:

1. Please perform wiring and installation work when the power is off!
2. Make holes in the ceiling according to the cutout of the corresponding model
3. The wiring terminals are not load-bearing, and the wires shall not be lifted during installation!
4. The maximum total length of splicing cannot exceed 5 meters.
5. T-shaped splicing and cross-shaped splicing can be spliced according to L-shaped splicing.
6. The specific appearance is subject to the actual product!

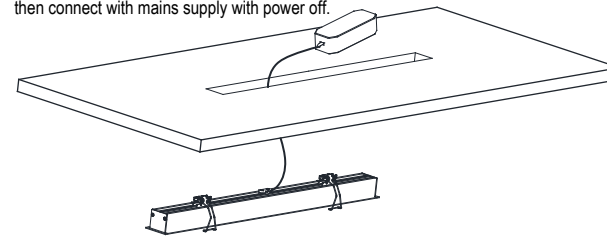
5.

### III Installation Instructions for single lamp(Constant Current):

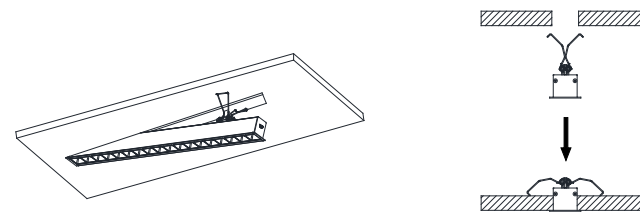
- 01 According the sheet above, cut off a proper hole on the ceiling to fitting, and then lead out the power cord



- 02 Arrange the power cords, and put the driver in the ceiling. Connect the fitting with driver (pay attention to the positive and negative poles), then connect with mains supply with power off.



- 03 Insert one end of the shrapnel first, then insert the other end



6.



This product is only suitable for indoor, it is not allowed to be rinsed with water.



24V Constant voltage LED independent driver, recessed mounted.

Do not clean LED chip and reflector with hand or towel !



- Use only drivers that comply with IEC or CE safety standards.
- Check if the power supply match with the luminaire.
- Must consider the maximum current value displayed on the label of the luminaire.
- The voltage displayed on the luminaire is not used to select the constant voltage driver, but the voltage covered by the selected constant current driver.
- Take suitable ESD measures to avoid touching bare conductors.
- LED chips can be damaged if be in touch with chemical material or gas. Therefore, it is not allowed to clean the LED housing or luminaire by chemicals.
- The following items are confirmed to have negative impact on the performance of the luminaire, avoid to keep luminaire in the same circumstance with them.
  - Methyl acetate or ethyl acetate (i.e., nail polish remover)
  - Cyanoacrylates (i.e., "Superglue")
  - Glycol ethers (including Radio Shack ® Precision Electronics Cleaner - dipropylene glycol monomethyl ether)
  - Formaldehyde or butadiene (including Ashland PLIOBOND ® adhesive)
  - Dymax 984-LVUF conformal coating
  - Loctite Sumo Glue、Loctite 384 adhesive、Loctite 7387 activator
  - Gorilla Glue、Bleach, Bleach-containing cleaners, sprays
- Remove the insulation material from the luminaire or provide enough space so that the temperature raising will not overpass the limited TC.
- LED chip is very sensitive to switching transients, therefore, LED lamps and appliances must be connected after power cut off, no hotswappable.
- Recommends using the driver indicated on the luminaire manual.
- Must consider the polarity of the product.
- If the external flexible cable or cord of this lamp is damaged, the cord should be replaced by the manufacturer or its service agent or a similarly qualified person
- The light source in this lamp should be replaced by the manufacturer or its service agent or a similarly qualified person

7.

8.