

ARCUS II

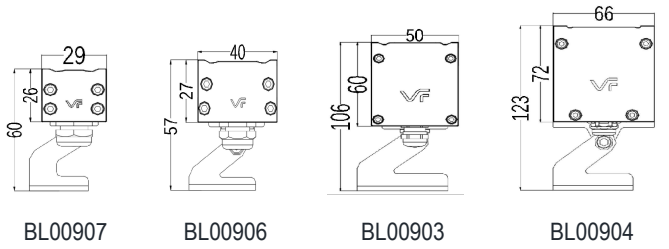
Arcus II series installation instructions

Series			
BL00907	BL00906	BL00904	BL00903

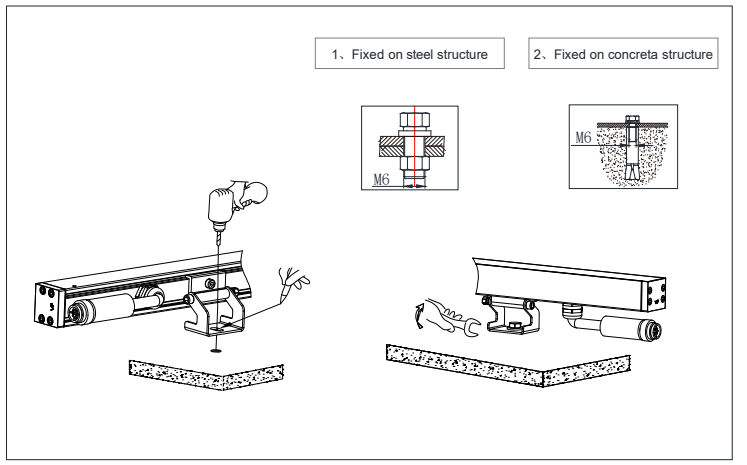
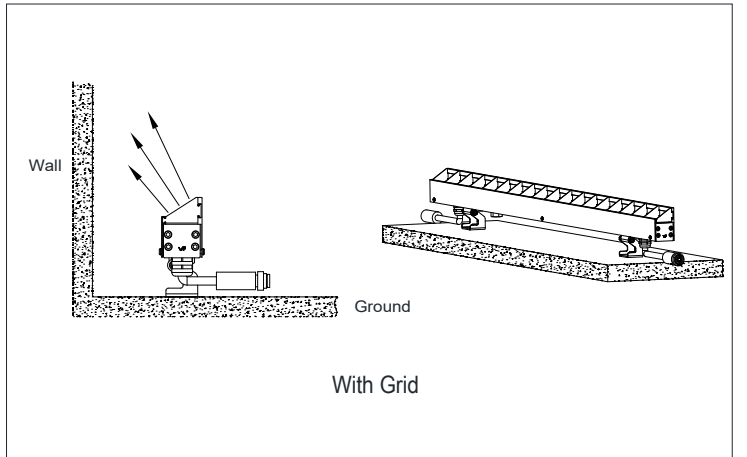
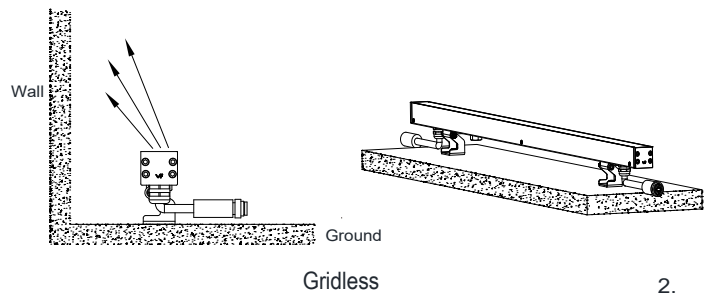
Application Range
 Landscape lighting, stage floodlighting, architectural facade lighting, billboard lighting, entertainment venue lighting, etc.

Installation Steps:
 The specific appearance is subject to the actual object.

1 (Size)



2 (Lamp installation diagram)



1.

Gridless

2.

3.

3 (Wiring Diagram)

On/Off

The number of connections for each DC24V circuit, if exceeded, use an additional circuit

Power cord reference table		Series connection quantity reference table	
Brown	DC24+	24W	6units
Blue	DC24-	36W	4units
		48W	3units
		72W	2units
		96W	1units

Note: It is advisable to reserve a 15% margin for the on/off power supply. The number of fixtures in series should adhere to the reference table to avoid overloading and damaging the fixtures.

External connection: DALI/0-10 dimming

The number of connections for each DC24V circuit, if exceeded, use an additional circuit

Power cord reference table		Series connection quantity reference table	
Brown	DC24+	24W	6units
Blue	DC24-	36W	4units
		48W	3units
		72W	2units
		96W	1units

Note: It is advisable to reserve a 15% margin for the on/off power supply. The number of fixtures in series should adhere to the reference table to avoid overloading and damaging the fixtures.

4.

DMX512 Control

The number of connections for each DC24V circuit, if exceeded, use an additional circuit

Power cord reference table		Series connection quantity reference table	
Red	DC24+	24W	6units
Black	DC24-	36W	4units
Blue	DMX+	48W	3units
Green	DMX-	72W	2units
Yellow	TI/TO	96W	1units

The distance from the controller to the first lamp should be within 80 meters; beyond 80 meters, a signal amplifier is required.
The distance from the controller to the last lamp should be within 200 meters; if the signal transmission is insufficient, a signal amplifier is needed.

Note: It is advisable to reserve a 15% margin for the on/off power supply. The number of fixtures in series should adhere to the reference table to avoid overloading and damaging the fixtures.

The following accessories need to be ordered separately:

5.



Suitable for indoor and outdoor environment.

- Use only drivers that comply with IEC or CE safety standards.
- Check if the power supply match with the luminaire.
- Must consider the maximum current value displayed on the label of the luminaire.
- The voltage displayed on the luminaire is not used to select the constant voltage driver, but the voltage covered by the selected constant current driver.
- Take suitable ESD measures to avoid touching bare conductors.
- LED chips can be damaged if be in touch with chemical material or gas. Therefore, it is not allowed to clean the LED housing or luminaire by chemicals.
- The following items are confirmed to have negative impact on the performance of the luminaire, avoid to keep luminaire in the same circumstance with them.
 - Methyl acetate or ethyl acetate (i.e., nail polish remover)
 - Cyanoacrylates (i.e., "Superglue")
 - Glycol ethers (including Radio Shack @ Precision Electronics Cleaner - dipropylene glycol monomethyl ether)
 - Formaldehyde or butadiene (including Ashland PLIOBOND @ adhesive)
 - Dymax 984-LVUF conformal coating
 - Loctite Sumo Glue, Loctite 384 adhesive, Loctite 7387 activator
 - Gorilla Glue, Bleach, Bleach-containing cleaners, sprays
- Remove the insulation material from the luminaire or provide enough space so that the temperature raising will not overpass the limited TC.
- LED chip is very sensitive to switching transients, therefore, LED lamps and appliances must be connected after power cut off, no hotswappable.
- Recommends using the driver indicated on the luminaire manual.
- Must consider the polarity of the product.
- If the external flexible cable or cord of this lamp is damaged, the cord should be replaced by the manufacturer or its service agent or a similarly qualified person
- Non-replaceable light source (The light source of this luminaire is not replaceable; When the light source reaches the end of its life, the entire luminaire should be replaced)

6.