

HERMIT

Hermit series Installation instructions

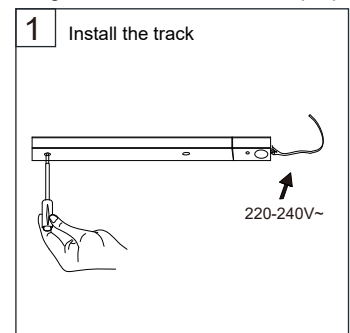
SERIES	
TT00501	TT00503
TT00502	

I、Cation:

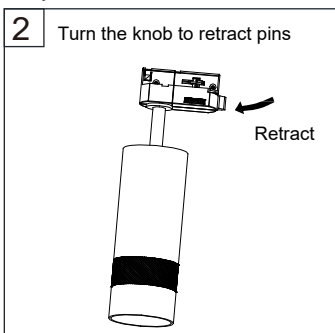
- 1、 Turn off power before installing
- 2、 Turn off the fuse/circuit breaker that controls the fixture before positioning the track light adapter into the track;
- 3、 Turn the knob to lock after inserting the dapter into the track;
- 4、 Turn off the fuse/circuit breaker that controls the power and fixture before disassembling the adapter;
- 5、 Do not hold the lamp body with force, but hold the adapter to install;
- 6、 The track must match with the adapter. Pay attention to the installation direction of the 3 line track, that is, make sure that the adapter with two pins is installed on the same side as the track with two cooper wires.

II、 Installation Instructions:

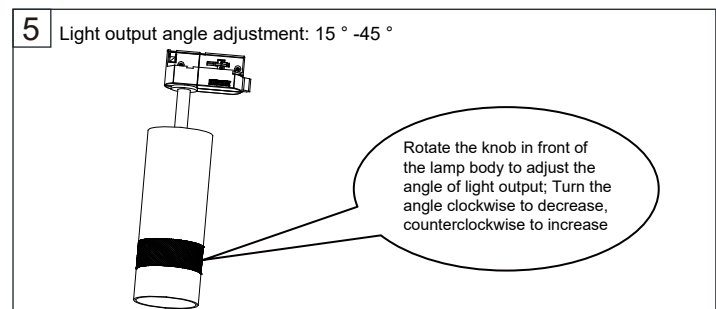
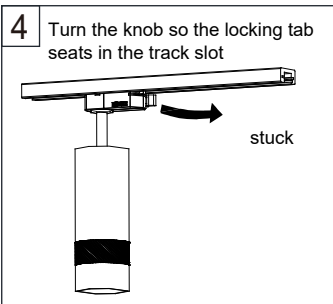
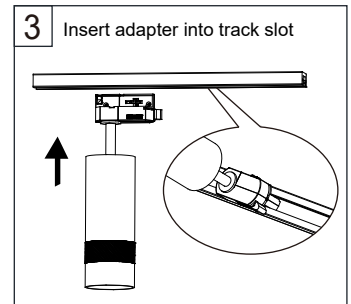
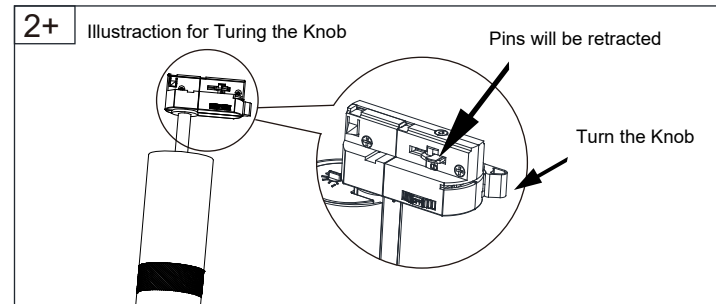
Image shown is for illustration purposes only!



1.

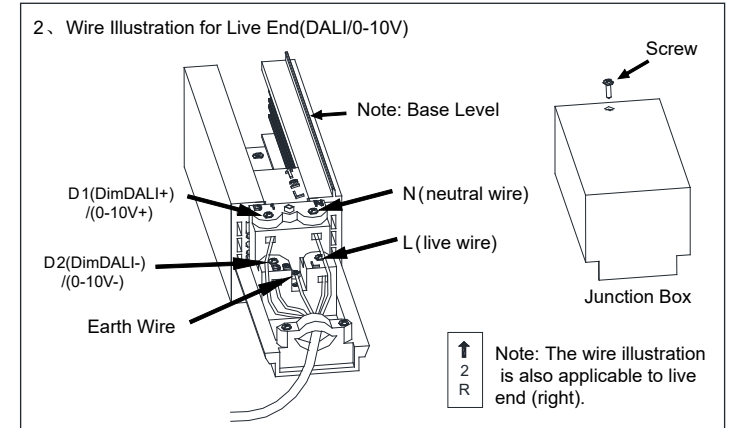
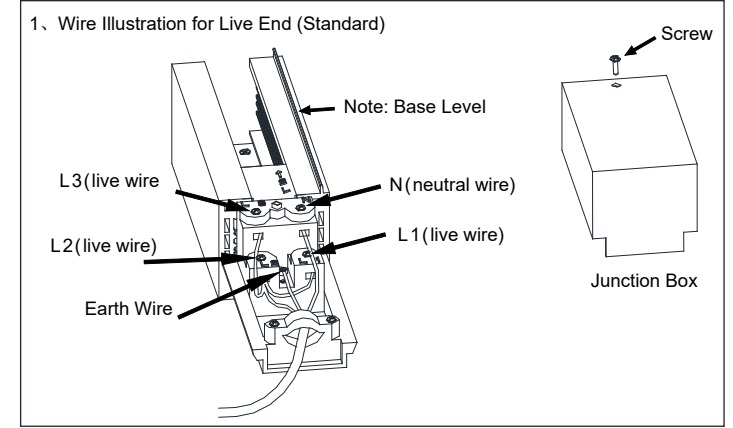


2.



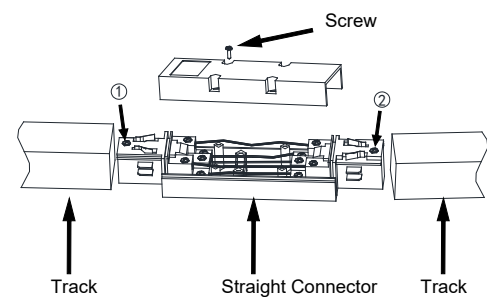
3.

III、 Wire Illustration for Four Lines Adapter and Track



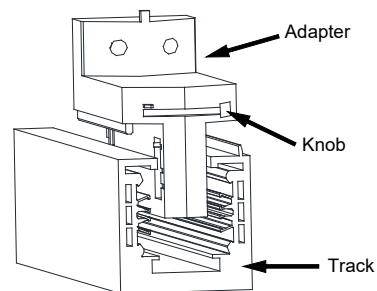
4.

3. Straight Connection Illustration



Loosen the screw 1 and 2, and then tighten them after connection

4. Connection Between Adapter and Track



5.

6-wire wiring diagram: (DALI/0-10V)

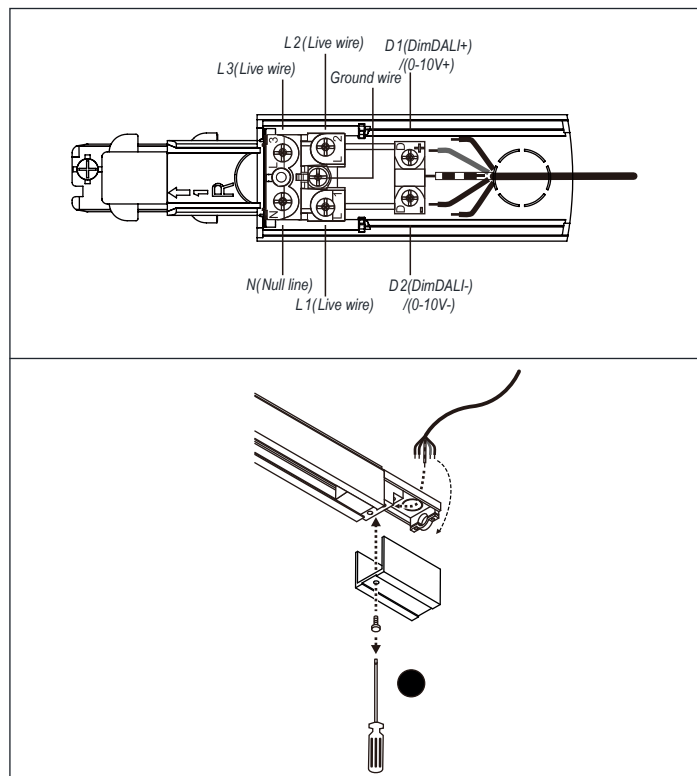
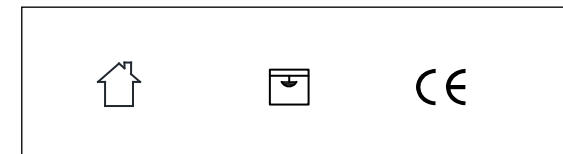




Image shown is for illustration purposes only!

6.



 This product is only suitable for indoor.
It is not allowed to be rinsed with water.

 LED driver is built in, the luminaire is track mounted.

7.

Do not clean LED chip and reflector with hand or towel !



- Use only drivers that comply with IEC or CE safety standards.
- Check if the power supply match with the luminaire.
- Must consider the maximum current value displayed on the label of the luminaire.
- The voltage displayed on the luminaire is not used to select the constant voltage driver, but the voltage covered by the selected constant current driver.
- Take suitable ESD measures to avoid touching bare conductors.
- LED chips can be damaged if be in touch with chemical material or gas. Therefore, it is not allowed to clean the LED housing or luminaire by chemicals.
- The following items are confirmed to have negative impact on the performance of the luminaire, avoid to keep luminaire in the same circumstance with them.
 - Methyl acetate or ethyl acetate (i.e., nail polish remover)
 - Cyanoacrylates (i.e., "Superglue")
 - Glycol ethers (including Radio Shack @ Precision Electronics
 - Cleaner - dipropylene glycol monomethyl ether)
 - Formaldehyde or butadiene (including Ashland PLIOBOND @ adhesive)
 - Dymax 984-LVUF conformal coating
 - Loctite Sumo Glue - Loctite 384 adhesive - Loctite 7387 activator
 - Gorilla Glue - Bleach, Bleach-containing cleaners, sprays
- Remove the insulation material from the luminaire or provide enough space so that the temperature raising will not overpass the limited TC.
- LED chip is very sensitive to switching transients, therefore, LED lamps and appliances must be connected after power cut off, no hotswappable.
- Recommends using the driver indicated on the luminaire manual.
- Must consider the polarity of the product.
- It is recommended to use an ambient temperature of -10 ° C to 40 ° C for indoor lighting equipment
- If the external flexible cable or cord of this lamp is damaged, the cord should be replaced by the manufacturer or its service agent or a similarly qualified person
- The light source in this lamp should be replaced by the manufacturer or its service agent or a similarly qualified person

8.