

POYO series Installation instructions

1.

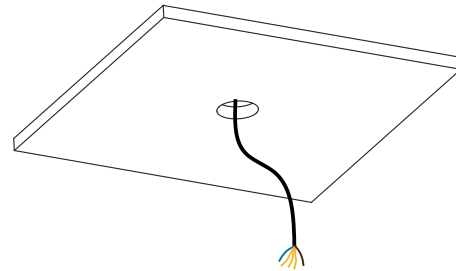
series

86141F1-CTM0101

**Installation Instructions :**

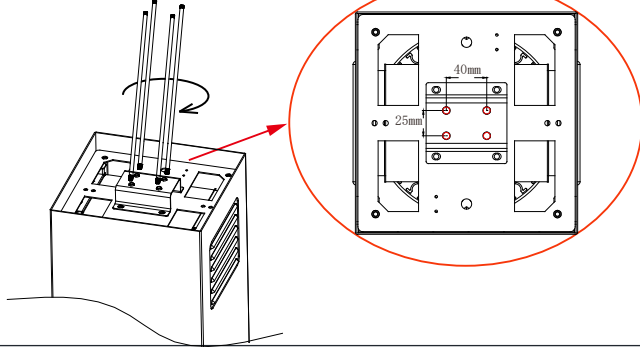
The specific appearance is subject to the real product !

- 1 Create holes approximately  $\varnothing$  20mm for power cables in locations like ceilings or installation sheds and route the power cables out.

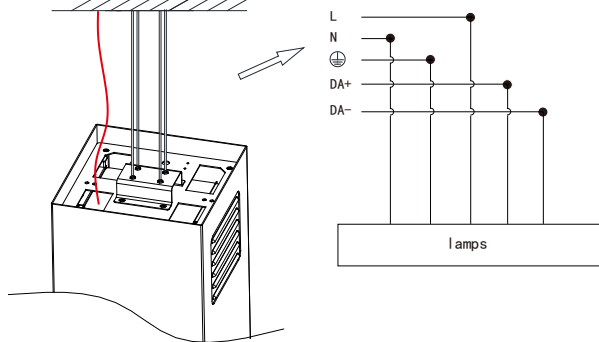


2.

**2** Insert the four M6 threaded rods into the lamp body holes and tighten them clockwise



**3** First, disconnect the power source and properly connect the power cord



3.



This product is only suitable for indoor, it is not allowed to be rinsed with water.



LED driver is built in, Suspended type Installation.

- Use only drivers that comply with IEC or CE safety standards.
- Check if the power supply match with the luminaire.
- Must consider the maximum current value displayed on the label of the luminaire.
- The voltage displayed on the luminaire is not used to select the constant voltage driver, but the voltage covered by the selected constant current driver.
- Take suitable ESD measures to avoid touching bare conductors.
- LED chips can be damaged if be in touch with chemical material or gas. Therefore, it is not allowed to clean the LED housing or luminaire by chemicals.
- The following items are confirmed to have negative impact on the performance of the luminaire, avoid to keep luminaire in the same circumstance with them.
  - Methyl acetate or ethyl acetate (i.e., nail polish remover)
  - Cyanoacrylates (i.e., "Superglue")
  - Glycol ethers (including Radio Shack @ Precision Electronics)
  - Cleaner - dipropylene glycol monomethyl ether
  - Formaldehyde or butadiene (including Ashland PLIOBOND @ adhesive)
  - Dymax 984-LVUF conformal coating
  - Loctite Sumo Glue - Loctite 384 adhesive - Loctite 7387 activator
  - Gorilla Glue - Bleach, Bleach-containing cleaners, sprays

- Remove the insulation material from the luminaire or provide enough space so that the temperature raising will not overpass the limited TC.
- LED chip is very sensitive to switching transients, therefore, LED lamps and appliances must be connected after power cut off, no hotswappable.
- Recommends using the driver indicated on the luminaire manual.
- Must consider the polarity of the product.
- It is recommended to use an ambient temperature of -10 ° C to 40 ° C for indoor lighting equipment
- If the external flexible cable or cord of this lamp is damaged, the cord should be replaced by the manufacturer or its service agent or a similarly qualified person
- T-Non-replaceable light source (The light source of this luminaire is not replaceable; When the light source reaches the end of its life, the entire luminaire should be replaced)

4.