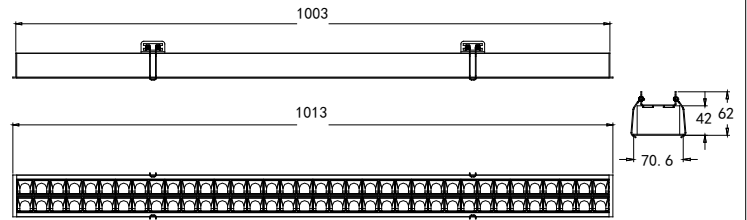


MIZAR 70

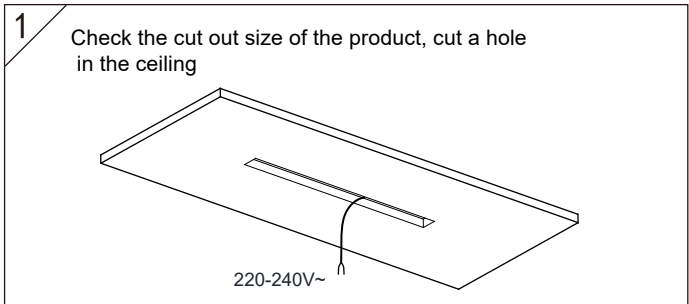
Mizar70 recessed series installation instructions

Series	Cut Out
LR00210	L1004XW61*H62 (height > 62mm)
LR00211	L1004XW61*H62 (height > 62mm)

1、 The dimension of fitting



2、 Installation Steps (This picture only supplies the reference, please take the actual product as the standard)

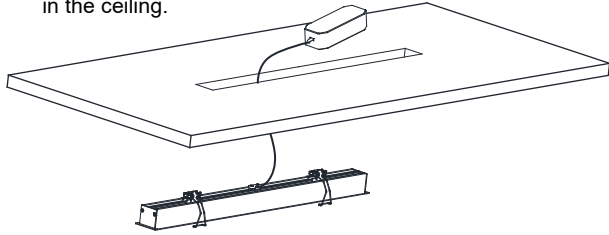


1.

2.

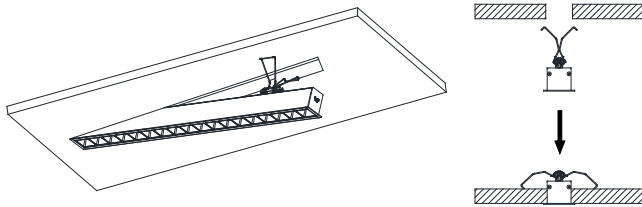
2

Connect the driver with mains supply and place the driver in the ceiling.



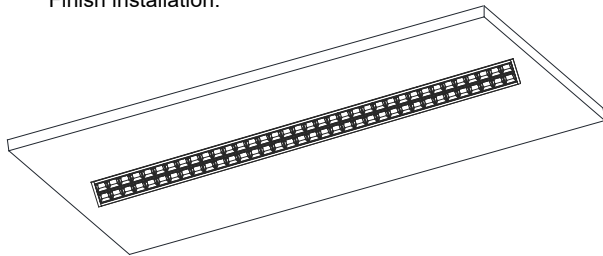
3

Open the springs, stick one side of spring in the ceiling then the other side



4

Finish installation.



4.



This product is only suitable for indoor, it is not allowed to be rinsed with water.



External power supply, recessed mounted.

- Use only drivers that comply with IEC or CE safety standards.
- Check if the power supply match with the luminaire.
- Must consider the maximum current value displayed on the label of the luminaire.
- The voltage displayed on the luminaire is not used to select the constant voltage driver, but the voltage covered by the selected constant current driver.
- Take suitable ESD measures to avoid touching bare conductors.
- LED chips can be damaged if be in touch with chemical material or gas. Therefore, it is not allowed to clean the LED housing or luminaire by chemicals.
- The following items are confirmed to have negative impact on the performance of the luminaire, avoid to keep luminaire in the same circumstance with them.
 - Methyl acetate or ethyl acetate (i.e., nail polish remover)
 - Cyanoacrylates (i.e., "Superglue")
 - Glycol ethers (including Radio Shack ® Precision Electronics)
 - Cleaner - dipropylene glycol monomethyl ether)
 - Formaldehyde or butadiene (including Ashland PLIOBOND ® adhesive)
 - Dymax 984-LVUF conformal coating
 - Loctite Sumo Glue. Loctite 384 adhesive. Loctite 7387 activator
 - Gorilla Glue. Bleach, Bleach-containing cleaners, sprays

- Remove the insulation material from the luminaire or provide enough space so that the temperature raising will not overpass the limited TC.
- LED chip is very sensitive to switching transients, therefore, LED lamps and appliances must be connected after power cut off, no hotswappable.
- Recommends using the driver indicated on the luminaire manual.
- Must consider the polarity of the product.
- It is recommended to use an ambient temperature of -10 ° C to 40 ° C for indoor lighting equipment
- If the external flexible cable or cord of this lamp is damaged, the cord should be replaced by the manufacturer or its service agent or a similarly qualified person
- The light source in this lamp should be replaced by the manufacturer or its service agent or a similarly qualified person

5.