

HERMIT

Hermit series Installation instructions

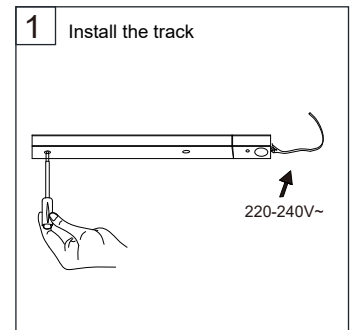
SERIES	
TT00501	TT00503
TT00502	

I、Cation:

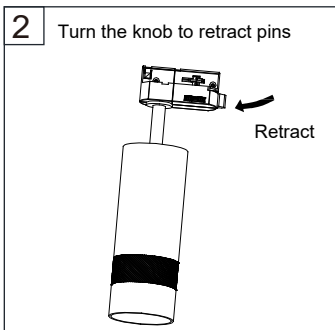
- 1、 Turn off power before installing
- 2、 Turn off the fuse/circuit breaker that controls the fixture before positioning the track light adapter into the track;
- 3、 Turn the knob to lock after inserting the dapter into the track;
- 4、 Turn off the fuse/circuit breaker that controls the power and fixture before disassembling the adapter;
- 5、 Do not hold the lamp body with force, but hold the adapter to install;
- 6、 The track must match with the adapter. Pay attention to the installation direction of the 3 line track, that is, make sure that the adapter with two pins is installed on the same side as the track with two cooper wires.

II、 Installation Instructions:

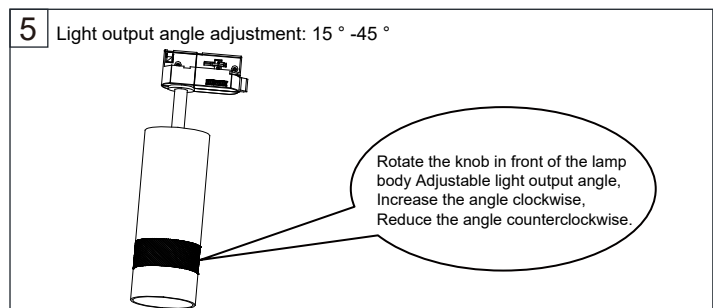
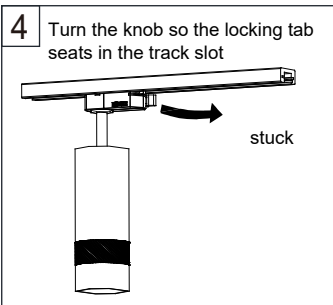
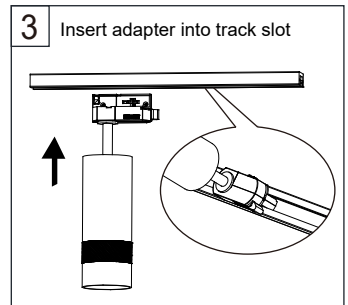
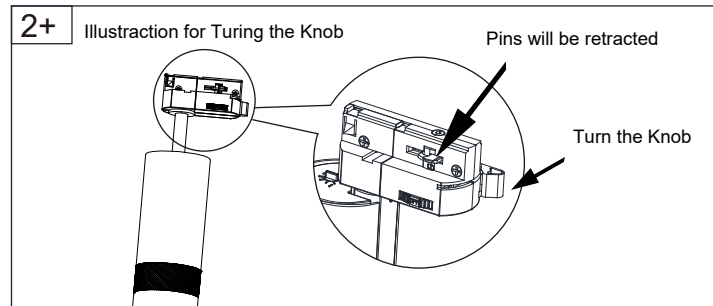
Image shown is for illustration purposes only!



1.

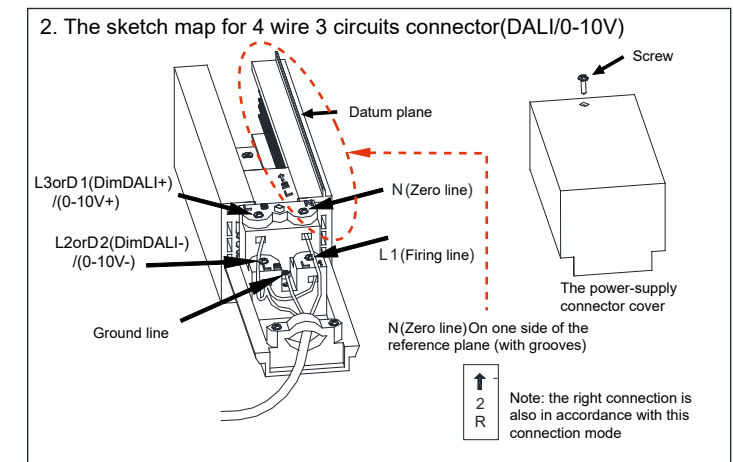
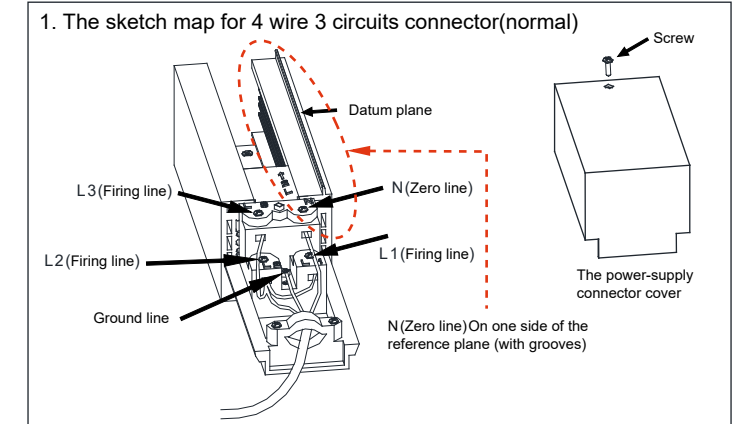


2.



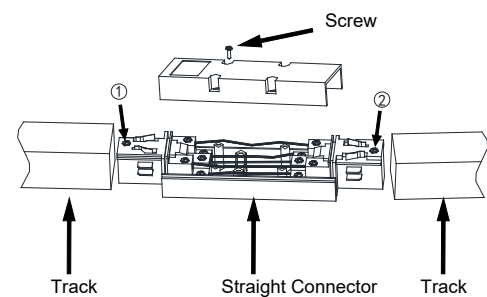
3.

III、 Wire Illustration for Four Lines Adapter and Track



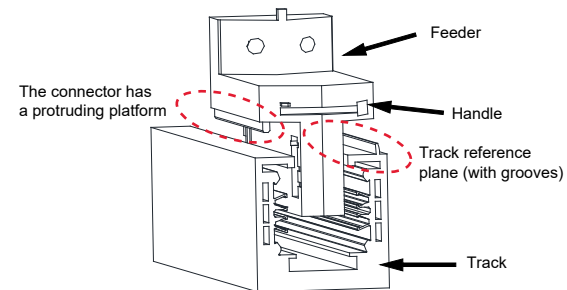
4.

3. Straight Connection Illustration



Loosen the screw 1 and 2, and then tighten them after connection

4. The sketch map for connection adapter and track



! Attention when connecting the connector to the track:
The connector has a protruding platform corresponding to the side of the connector without a slot

The specific appearance is subject to the real product!

6-wire wiring diagram: (DALI/0-10V)

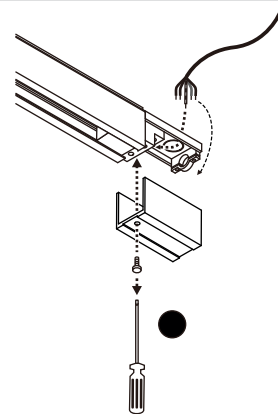
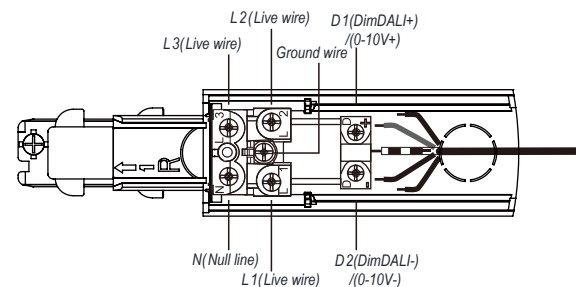
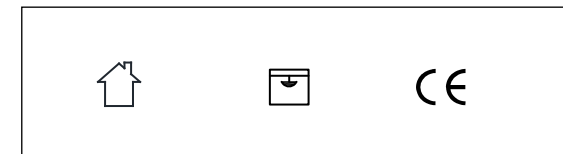


Image shown is for illustration purposes only!



! This product is only suitable for indoor.
It is not allowed to be rinsed with water.

! LED driver is built in, the luminaire is track mounted.

Do not clean LED chip and reflector with hand or towel !



- Use only drivers that comply with IEC or CE safety standards.
- Check if the power supply match with the luminaire.
- Must consider the maximum current value displayed on the label of the luminaire.
- The voltage displayed on the luminaire is not used to select the constant voltage driver, but the voltage covered by the selected constant current driver.
- Take suitable ESD measures to avoid touching bare conductors.
- LED chips can be damaged if be in touch with chemical material or gas. Therefore, it is not allowed to clean the LED housing or luminaire by chemicals.
- The following items are confirmed to have negative impact on the performance of the luminaire, avoid to keep luminaire in the same circumstance with them.
 - Methyl acetate or ethyl acetate (i.e., nail polish remover)
 - Cyanoacrylates (i.e., "Superglue")
 - Glycol ethers (including Radio Shack @ Precision Electronics)
 - Cleaner - dipropylene glycol monomethyl ether)
 - Formaldehyde or butadiene (including Ashland PLIOBOND @ adhesive)
 - Dymax 984-LVUF conformal coating
 - Loctite Sumo Glue - Loctite 384 adhesive - Loctite 7387 activator
 - Gorilla Glue - Bleach, Bleach-containing cleaners, sprays

- Remove the insulation material from the luminaire or provide enough space so that the temperature raising will not overpass the limited TC.
- LED chip is very sensitive to switching transients, therefore, LED lamps and appliances must be connected after power cut off, no hotswappable.
- Recommends using the driver indicated on the luminaire manual.
- Must consider the polarity of the product.
- It is recommended to use an ambient temperature of -10 ° C to 40 ° C for indoor lighting equipment
- If the external flexible cable or cord of this lamp is damaged, the cord should be replaced by the manufacturer or its service agent or a similarly qualified person
- The light source in this lamp should be replaced by the manufacturer or its service agent or a similarly qualified person