

**GLEAM**

Gleam series small size installation instructions

SERIES	CUT-OUT	SERIES	CUT-OUT
DR00601	Ø50mm	DR00603	Ø50mm
DR00602	Ø50mm	DR00604	Ø50mm
DR00607	Ø50mm	DR00609	Ø50mm
DR00608	Ø50mm	DR00610	Ø50mm

- Before installation, please read this installation instructions carefully.
1. The installation should be operated by professional electrician;
  2. Please make sure to use DC 24V driver, it's forbidden to use other drivers such as AC220-240V;
  3. Do not operate with wet hands, which might get an electric shock;
  4. When start installation, turn off all electricity, once finish installation, make sure "+ -" connection is right, then turn on;
  5. Please do not disassemble product, or maintain product forcibly;
  6. Once product is operating abnormally, please turn off immediately, do not touch with hands in order to avoid electric shock.

Installation Instructions (without embedded part of installation)

**1.1** Cut the installation hole on the ceiling(Ø50mm), take out the DC24V cable

Ø50mm  
Min. thickness of installation 10mm  
Min. deepness of installation 50mm

1.

**1.2** When power is cut-off, connect the 24V DC driver.

**1.3** Adjust the direction, make sure the light output mouth down to floor, then finish installation.

Installation Instructions(with embedded part of installation)

**2.1** Cut the installation hole on the ceiling(Ø55mm).

Ø55mm  
Min. thickness of installation 10mm  
Min. deepness of installation 75mm

**2.2** Install the embedded part.

Make sure the two grooves horizontally to the floor.

**2.3** Take out the cable through the groove of embedded part.

**2.4** Plaster or paint the wall.

3.

**2.5** Once the wall is dry enough, clean up the installation mouth, follow the "Installation Instructions 1"

Installation with embedded parts - no puttying required, applicable to marble/wood veneer surfaces

**3.1** Cut the installation hole on the ceiling(Ø55mm).

Ø55mm  
Min. thickness of installation 10mm  
Min. deepness of installation 75mm

**3.2** Install the embedded part.

Make sure the two grooves horizontally to the floor.

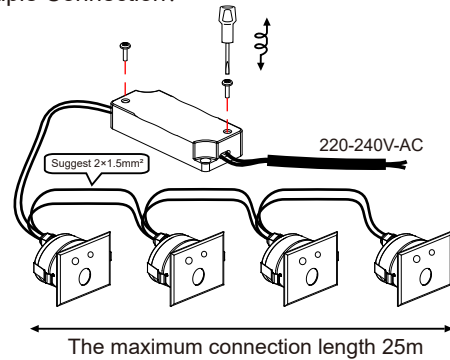
**3.3** Take out the cable through the groove of embedded part.

**3.4** After connecting the power cable, insert the lamp body into the pre-embedded component housing

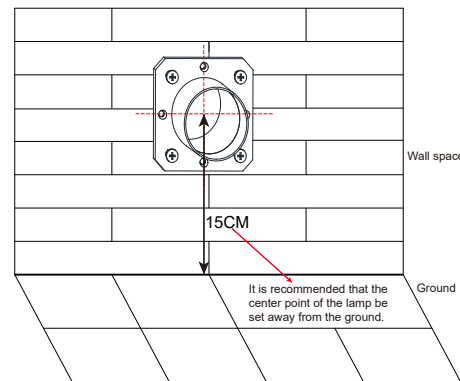
marble/wood veneer surfaces

4.

Multiple Connection :



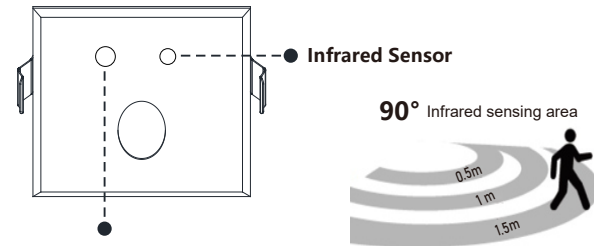
Recommended installation distance from ground :



The specific appearance shall be subject to actual goods.

5.

Sensor Instruction :



Light Activated Switch  
≥ 10-15LX

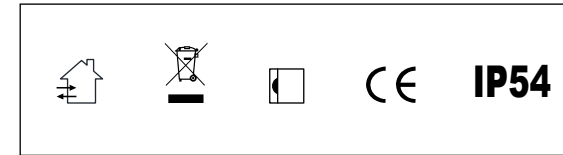
Infrared Sensor Switch: Fan-shaped sensing area, sensing angle 90°, max sensing distance up to 1.5m.  
Sensor Delay: When detecting a person, it will light up for 30-60s (The time can be customized) and then it will automatically turn off.

Light Activated Instruction: When the ambient illumination is more than 10-15LX, it will not light up even if detecting people (The illumination of Light Activated Switch can be customized according to the environment)

Notice:

1. Keep away from heating, air conditioning, refrigerators, stoves and other places sensitive to air temperature changes.
2. There must be no screens, furniture, large bonsai or other barriers within the detection range of the Sensor Switch.
3. Don't install the fitting in places with strong air flow such as doorways and air ducts.
4. If there is glass, acrylic, or other substances that are difficult to pass through infrared rays between the fittings, or if there are stains on the window, it will affect the detection performance.

6.



Suitable for indoor and outdoor environment.

Independent LED driver. The luminaire is recessed.

7.

Do not clean LED chip and reflector with hand or towel !



- Use only drivers that comply with IEC or CE safety standards.
- Check if the power supply match with the luminaire.
- Must consider the maximum current value displayed on the label of the luminaire.
- The voltage displayed on the luminaire is not used to select the constant voltage driver, but the voltage covered by the selected constant current driver.
- Take suitable ESD measures to avoid touching bare conductors.
- LED chips can be damaged if be in touch with chemical material or gas. Therefore, it is not allowed to clean the LED housing or luminaire by chemicals.
- The following items are confirmed to have negative impact on the performance of the luminaire, avoid to keep luminaire in the same circumstance with them.  
Methyl acetate or ethyl acetate (i.e., nail polish remover)  
Cyanoacrylates (i.e., "Superglue")  
Glycol ethers (including Radio Shack ® Precision Electronics  
Cleaner - dipropylene glycol monomethyl ether)  
Formaldehyde or butadiene (including Ashland PLIOBOND ® adhesive)  
Dymax 984-LVUF conformal coating  
Loctite Sumo Glue、Loctite 384 adhesive、Loctite 7387 activator  
Gorilla Glue、Bleach, Bleach-containing cleaners, sprays

- Remove the insulation material from the luminaire or provide enough space so that the temperature raising will not overpass the limited TC.
- LED chip is very sensitive to switching transients, therefore, LED lamps and appliances must be connected after power cut off, no hotswappable.
- Recommends using the driver indicated on the luminaire manual.
- Must consider the polarity of the product.
- If the external flexible cable or cord of this lamp is damaged, the cord should be replaced by the manufacturer or its service agent or a similarly qualified person
- Non replaceable light source (the light source of this lamp is non replaceable  
At the end of life, the whole lamp shall be replaced)

8.