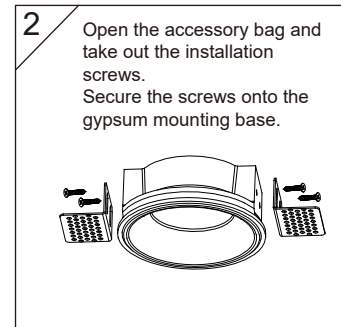
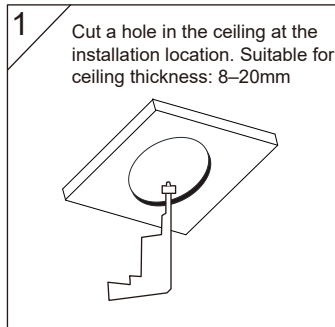


Luster Gypsum lamp series installation instructions

Series	Cut out	Series	Cut out
DR01221	Ø100mm	DR01222	Ø100mm
DR01223	Ø125mm	DR01224	Ø125mm
DR01225	Ø100mm	DR01226	Ø100mm
DR01227	Ø125mm	DR01228	Ø125mm
DR01229	Ø100mm	DR01230	Ø100mm
DR01231	Ø125mm	DR01232	Ø125mm

Installation Steps:

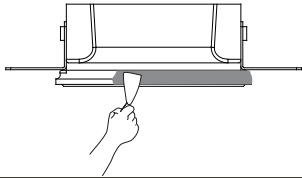
The specific appearance is subject to the real product !



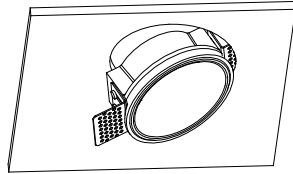
1.

2.

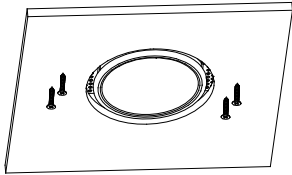
3 Firstly, apply a layer of plaster on the outer ring of the plaster pre-embedded parts and fill in the concave joints.



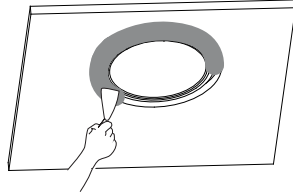
4 Place the pre-built parts into the ceiling holes by tilting them sideways



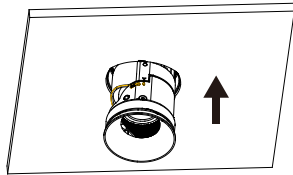
5 Fasten the pre-built parts to the ceiling with screws



6 And then along the lamps and lanterns batch of gray, batch of gray after the ceiling and pre-built components flush, into one



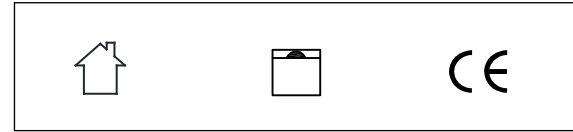
7 Insert the light fixture into the pre-built embedded fitting and securely connect the driver.



8 Inish



3.



This product is only suitable for indoor, it is not allowed to be rinsed with water.



Independent external driver, recessed mounted.

- Use only drivers that comply with IEC or CE safety standards.
- Check if the power supply match with the luminaire.
- Must consider the maximum current value displayed on the label of the luminaire.
- The voltage displayed on the luminaire is not used to select the constant voltage driver, but the voltage covered by the selected constant current driver.
- Take suitable ESD measures to avoid touching bare conductors.
- LED chips can be damaged if be in touch with chemical material or gas. Therefore, it is not allowed to clean the LED housing or luminaire by chemicals.
- The following items are confirmed to have negative impact on the performance of the luminaire, avoid to keep luminaire in the same circumstance with them.
 - Methyl acetate or ethyl acetate (i.e., nail polish remover)
 - Cyanoacrylates (i.e., "Superglue")
 - Glycol ethers (including Radio Shack ® Precision Electronics Cleaner - dipropylene glycol monomethyl ether)
 - Formaldehyde or butadiene (including Ashland PLIOBOND ® adhesive)
 - Dymax 984-LVUF conformal coating
 - Loctite Sumo Glue, Loctite 384 adhesive, Loctite 7387 activator
 - Gorilla Glue, Bleach, Bleach-containing cleaners, sprays

- Remove the insulation material from the luminaire or provide enough space so that the temperature raising will not overpass the limited TC.
- LED chip is very sensitive to switching transients, therefore, LED lamps and appliances must be connected after power cut off, no hotswappable.
- VF recommends using the driver indicated on the luminaire manual.
- Must consider the polarity of the product.
- It is recommended to use an ambient temperature of -10 ° C to 40 ° C for indoor lighting equipment
- If the external flexible cable or cord of this lamp is damaged, the cord should be replaced by the manufacturer or its service agent or a similarly qualified person
- The light source in this lamp should be replaced by the manufacturer or its service agent or a similarly qualified person

4.